

POLE LED
COD: E5700/LBI

Use:
outside, led
Installation:
Free standing
Body/structure:
Die-cast aluminium body
Coating:
Epoxy powder coating with special treatment for outdoor use
Colour:
White
Optic/reflector:
Pure aluminium reflector
Equipment:
Silicon rubber gaskets
Glass/diffuser:
Polycarbonate diffuser
Cable gland:
Silicon rubber cable gland PG11
Control gear:
Integrated LED diodes ballast, stabilized output current 550mA dc

Voltage: 220-240V 50/60Hz
Beam angle: Symmetric, omnidirectional
Insulation class: Insulation class 1
Weight: 6,500 kg
IP grade: 65
Glow wire: [850 °C]
Lamp included: Yes
Kind of led: Power LED
Colour temperature: 5000°K
CRI: 80

Revisione scheda*: 07-02-2012

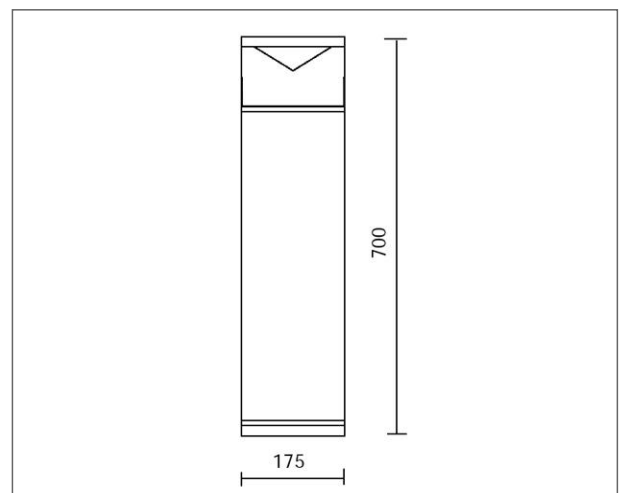


Lamp: 1 x LED +/- 20.00 W



220-240V 50/60Hz

IP 65



POLE LED
COD: E5700/LBI



899
POZZETTO DA INTERRARE